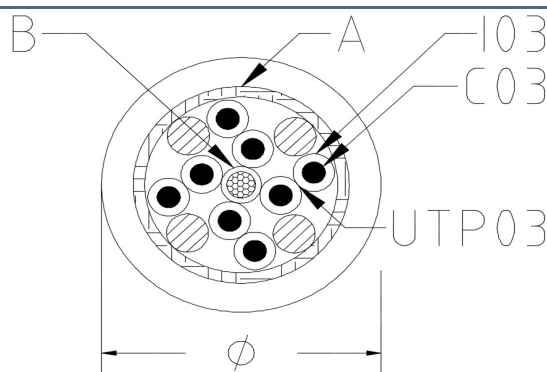


YSSTY 4x2x0,34

Round elevator travelling cable

material code

20204368



Construction

C03	Conductor 0,34 mm²	flexible stranded bare copper class 5
I03	Insulation	special PVC compound according to EN 50363-3 TI 2
UTP03	Twisted pair 2x0,34	cores twisted
A	Strand	UTPs stranded around SBM (B) with fillers containment tape
B	Strain bearing member	zinc coated steel wire rope 1,0 mm / coated 1,4 mm
STH	Sheath	special PVC compound according to EN 50363-4-1 TM 2 black similar to RAL9005 surface without knurling

Elements identification

Strand	Cores, color codes and numbers	Description
A	4x2x0,34 BN+WH; GN+YE; GY+PK; BU+RD	brown+red, green+yellow, grey+pink blue+red

Cable marking

DRAKA 07 YSSTY 4x2x0,34 *order number* I *meter mark* Made in EU

Repeated without meter mark in half of meter

Application

Round, flexible control travelling cable for use in passenger and goods lifts (elevators).

Electrical data

Element	Rated Voltage U0/U V	Test voltage Core-Core V	Test voltage Core-Screen V	Resistance Ω/km	Char. Impedance (@100kHz) Ohm ±15%
Control cores 0,34 mm ²	100/100	1500	-	57,20	-

Technical specification

Maximum Free Suspension Length m	Maximum Travel Height (approx.) m	Maximum Travelling Speed m/s	Cable Dimensions ∅ (approx.) mm	Standard Length m
60	100	1,6	8,4	500

Min. Bending Radius Static x cable height	Natural loop (Static Flexibility) mm	Operating Temp. Min. °C	Operating Temp. Max. °C	Standards	Rec. Suspension Device	Cable Net Weight (approx.) kg/km
15	455	-15	70	Similar to EN 50214 ST-VM-R&D-06-16	-	92,0

Notes

REV 20170421